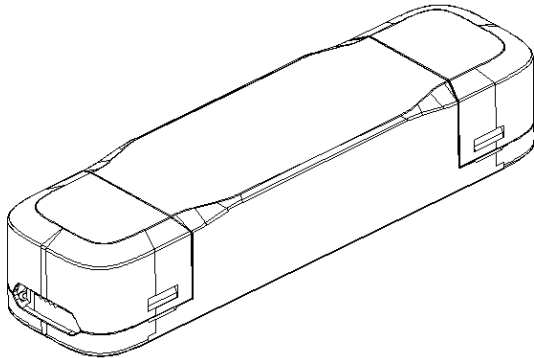


## 25W Constant Current DALI2-FLS Series

FLS-25-700 DALI2 LA



■ Approve



### ■ Features

- Class II, SELV, independent
- Input Voltage 220-240VAC
- Protections: SCP/OLP/OVP/OTP
- Power Factor >0.95
- Efficiency ≥85%
- Support DALI II, Push Dimming
- 5 years warranty

### ■ Applications(Typ.)

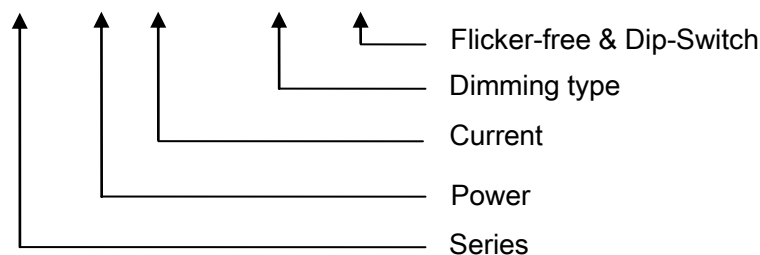
- LED strips
- LED panel
- Spot light
- Down light

### ■ Description

FLS-25-700 DALI2 LA is a 25W constant current LED driver with 150 to 700mA output current and a forward voltage range from 9 to 52Vdc. The output current is selectable by DIP Switch. With its dimensions from 160x 42 x 30mm it is easy to integrate in LED Panel, spot and down light products. To ensure trouble-free operation, protection is provided against output short circuit and over Load.

### ■ Model code

FLS-25-700 DALI2 LA



## 25W Constant Current DALI2-FLS Series

FLS-25-700 DALI2 LA

### ■ Specification

Input	Rated input voltage	220-240VAC
	Range of input voltage	176-264VAC
	DC voltage range	176-280V
	Frequency(Hz)	0/50/60 Hz
	Power Factor	> 0.95@220-240VAC, full load
	Input Current max	0.2A MAX. @Full Load,176VAC
	Start-up time	< 1S
	Unload Power Consumption	≤0.5W
	Inrush Current	30A Max.
	THD	10% Typ.
	Leakage Current	< 0.7mA(240VAC)
Output	Constant Current	150/.../700mA
	Unload voltage Max.	60 VDC
	Voltage Range(VDC)	9-52VDC
	Rated power	26.3W Max.
	Current Accuracy	Io≤350mA : ±7%@220-240VAC ; Io>350mA : ±5%@220-240VAC
	Voltage Regulation	±5% @Full Load,220-240VAC
	Load Regulation	±5%@220-240VAC
	Hold-up Time	1s max.@Full Load
	HF current Ripple *Note.2	≤±10%@Full Load, 240VAC
	Output LF current ripple(<120Hz)	≤±3%@Full Load, 240VAC
	Efficiency(Typ.)	≥85%@Full Load, 240VAC
Dimming	Dimmable	YES
	Dimming mode	DALI II, Push
	Dimming current range	5mA(min) ~100%
Protection	Over Load Protection	103-120% Protection type: Latch off
	Over Voltage Protection	> 60VDC Protection type: Latch off
	Short circuit Protection	Protection type: Latch off
	Over Temperature protection	Protection type: Auto Resume
Environment	Operating Temperature	-20°C...+45°C
	tc	80°C
	Storage Temperature	-25°C...+60°C
	Life time	> 44,000h@45°C
	Humidity	20%-90%RH
Others	Dimension(LXWXH)	160X42X30mm
Safety & EMC	Safety standards	EN 61347-1; EN61347-2-13; EN62384
	Withstand voltage	Input-Output : 3750V/5mA/1min
	Isolation resistance	Input-Output : ≥4MΩ@500VDC
	EMI	EN55015; EN61000-3-2 Class C; EN61000-3-3
	EMS	EN 61547; EN 61000-4-2; EN 61000-4-5 —1000V;
Note	1.All parameters NOT specially mentioned are measured at 240VAC input , full load and 25°C of ambient temperature. 2.Ripple & Noise are measured at 20MHz of bandwidth by using a 300mm twisted pair-wire terminated with a 0.1uF & 47 uF parallel capacitor.	

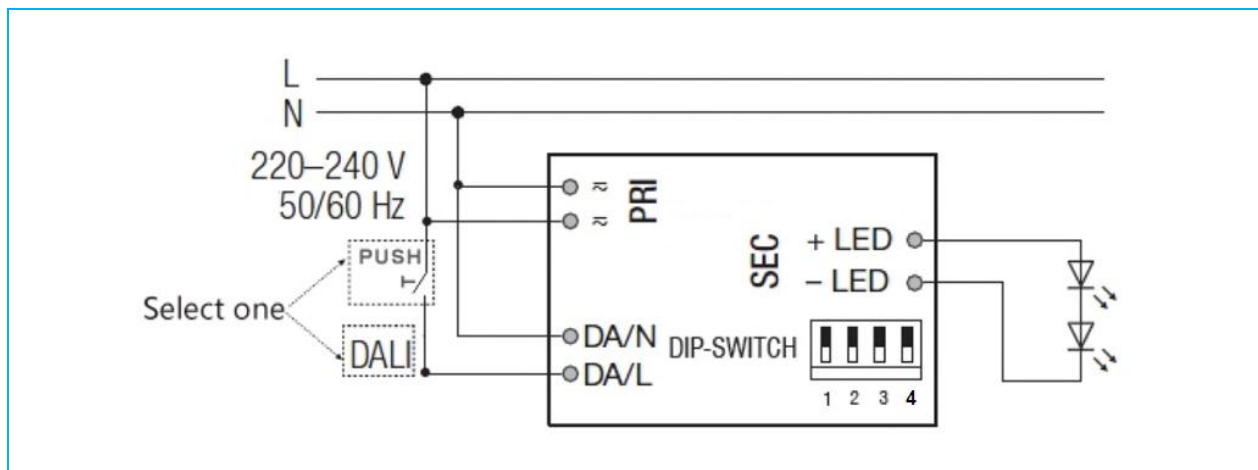
## 25W Constant Current DALI2-FLS Series

### FLS-25-700 DALI2 LA

#### ■ Adjustable Output Current with dip-switch

Vo	Po	Io	4	3	2	1
9-52VDC	7.8W	150mA	--	ON	--	--
9-52VDC	10.4W	200mA	--	ON	--	ON
9-52VDC	13W	250mA	--	ON	ON	--
9-52VDC	15.6W	300mA	--	ON	ON	ON
9-52VDC	18.2W	350mA	ON	--	--	--
9-52VDC	20.8W	400mA	ON	--	--	ON
9-52VDC	23.4W	450mA	ON	--	ON	--
9-52VDC	26W	500mA	ON	--	ON	ON
9-47.5VDC	26.1W	550mA	ON	ON	--	--
9-43.5VDC	26.1W	600mA	ON	ON	--	ON
9-40VDC	26W	650mA	ON	ON	ON	--
9-37.5VDC	26.3W	700mA	ON	ON	ON	ON

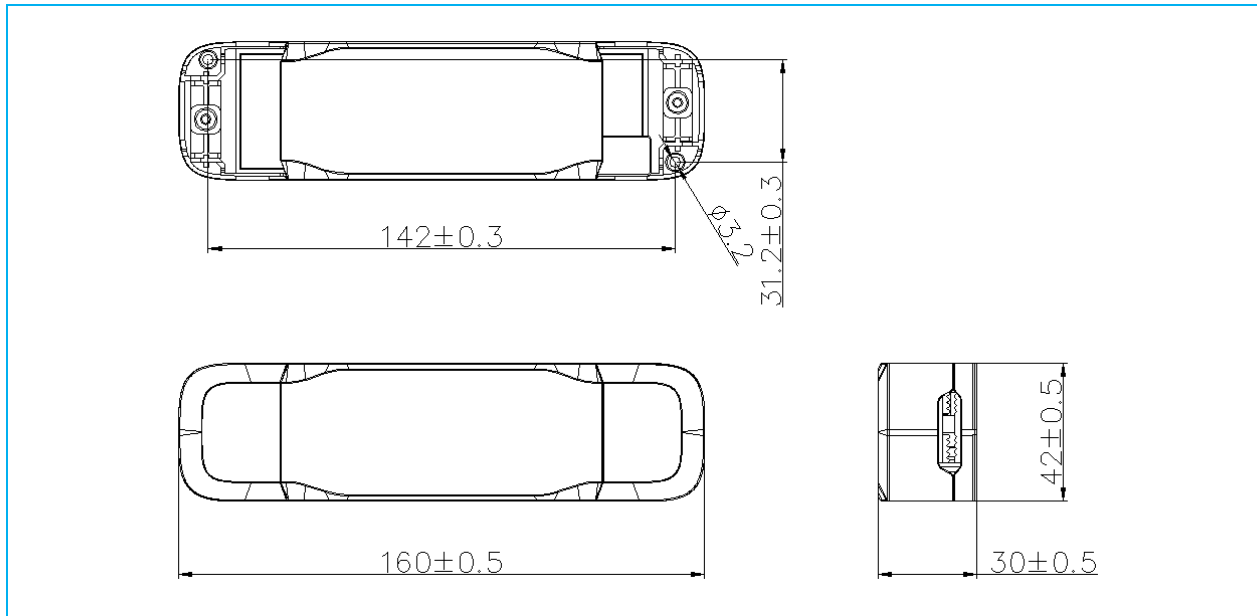
#### ■ Wiring diagram



## 25W Constant Current DALI2-FLS Series

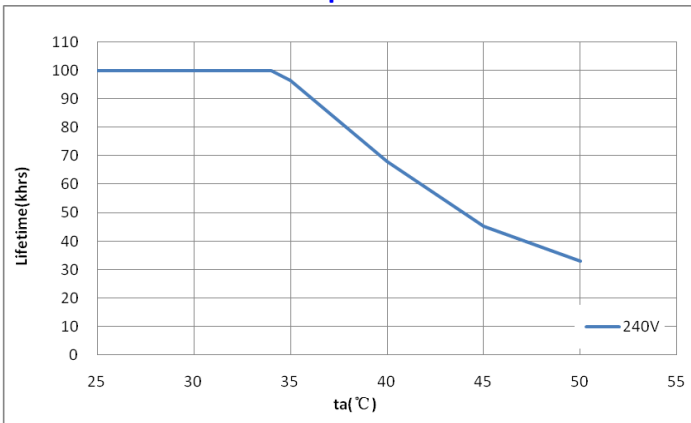
### FLS-25-700 DALI2 LA

#### 2D diagram

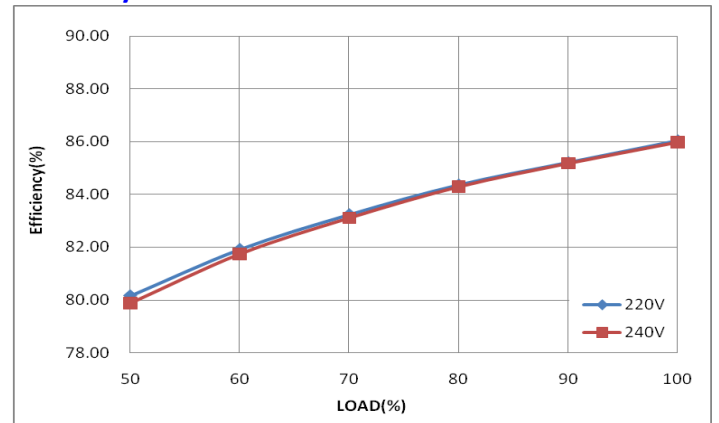


#### Curve for FLS-25-700 DALI2 LA , $I_o=700mA$

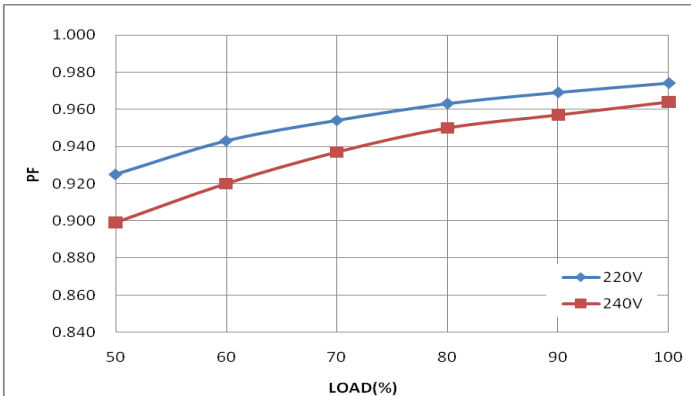
##### Lifetime vs. Ambient Temperature Curve



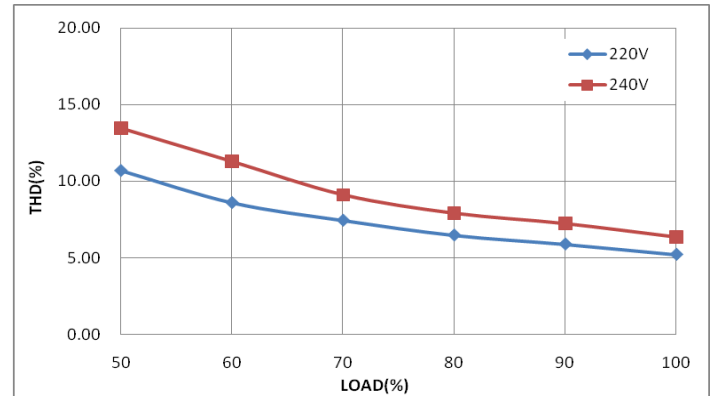
##### Efficiency vs. Load



##### Power Factor Characteristics



##### THD vs. Load



## 25W Constant Current DALI2-FLS Series

FLS-25-700 DALI2 LA

### ■ Operating window

